

TABLE 1 - Mod. "TORINO" UPDATE 2/12

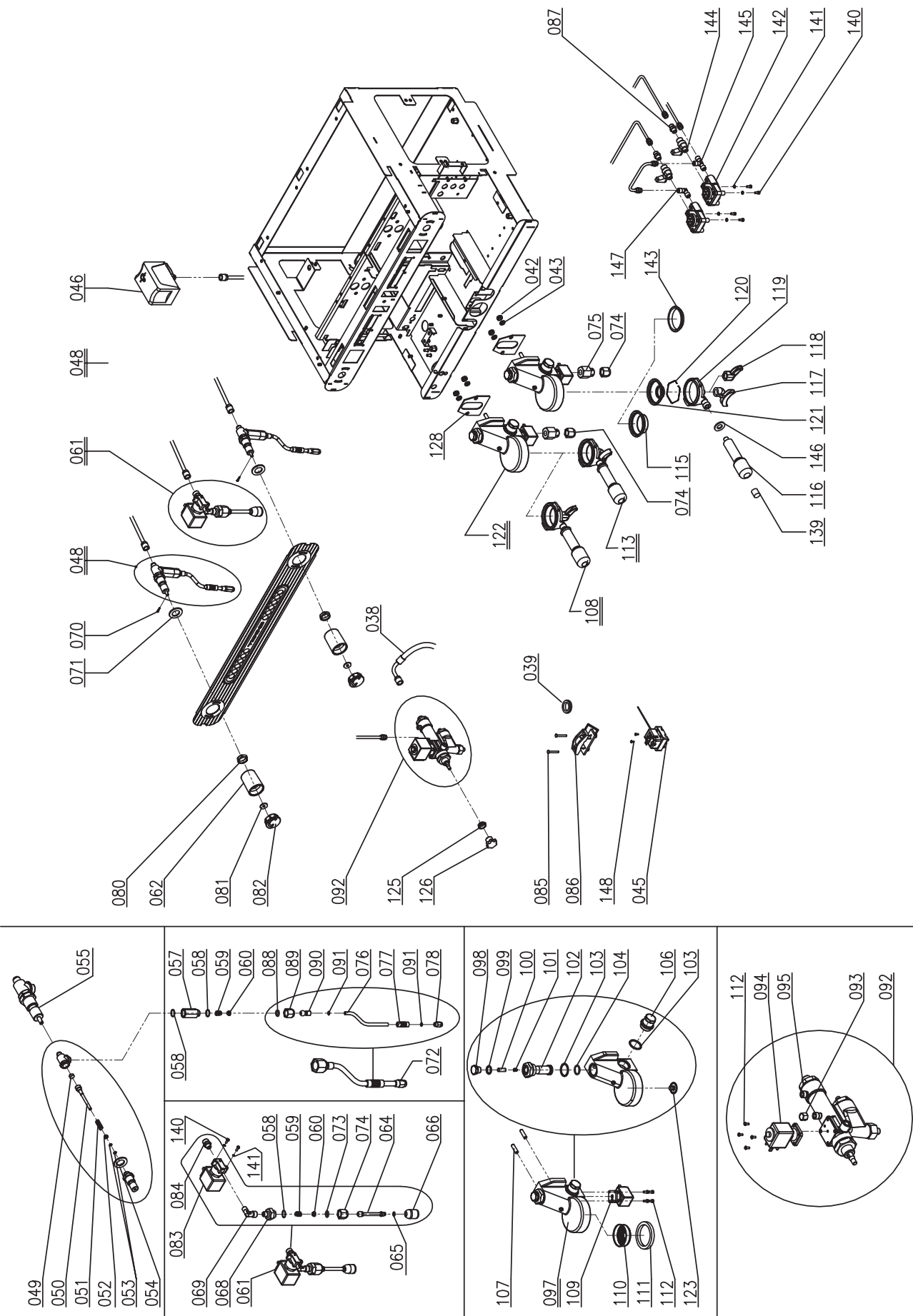


TABLE 2 - Mod. "TORINO" UPDATE 2/12

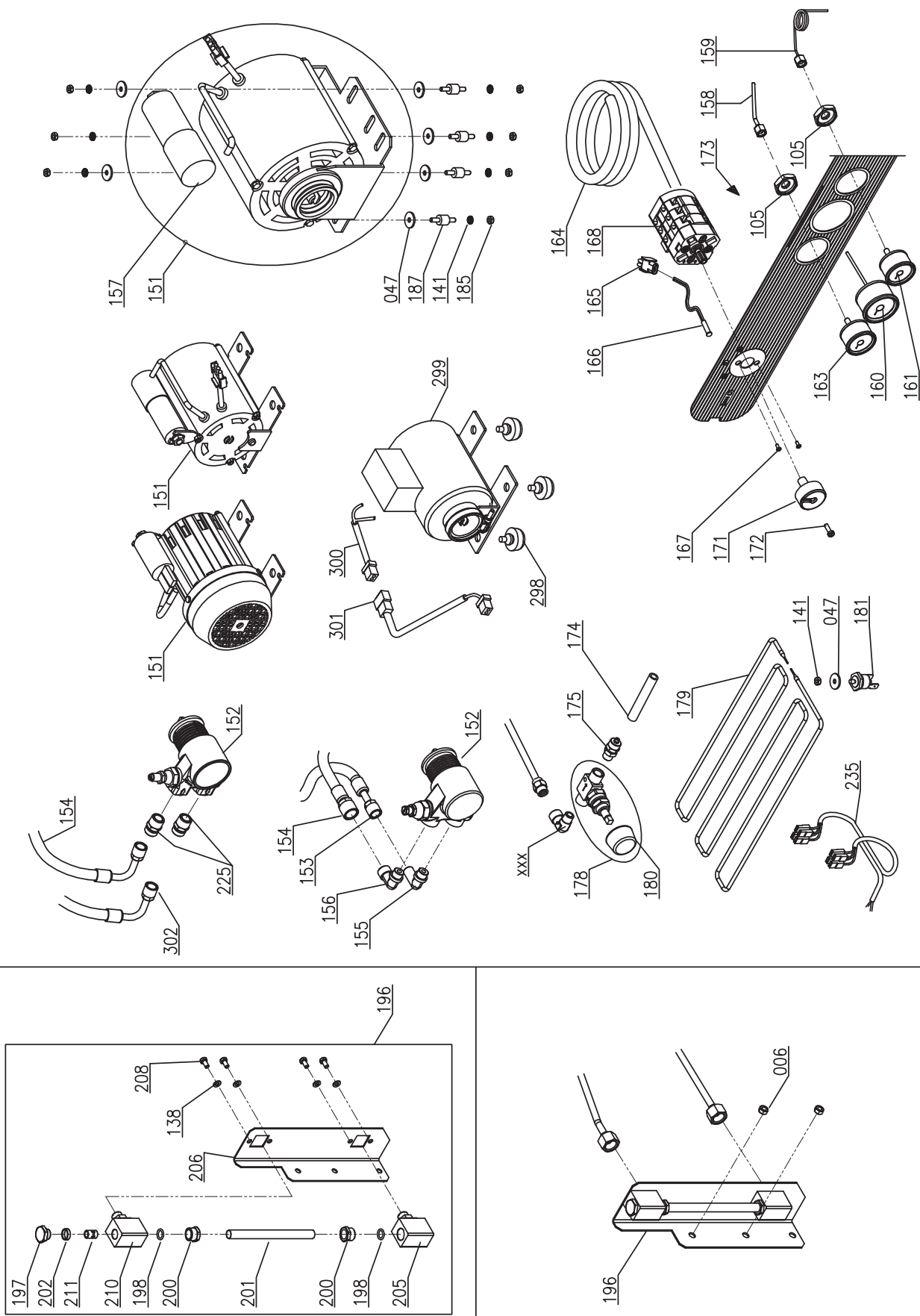


TABLE 3 - Mod. "TORINO" UPDATE 2/12

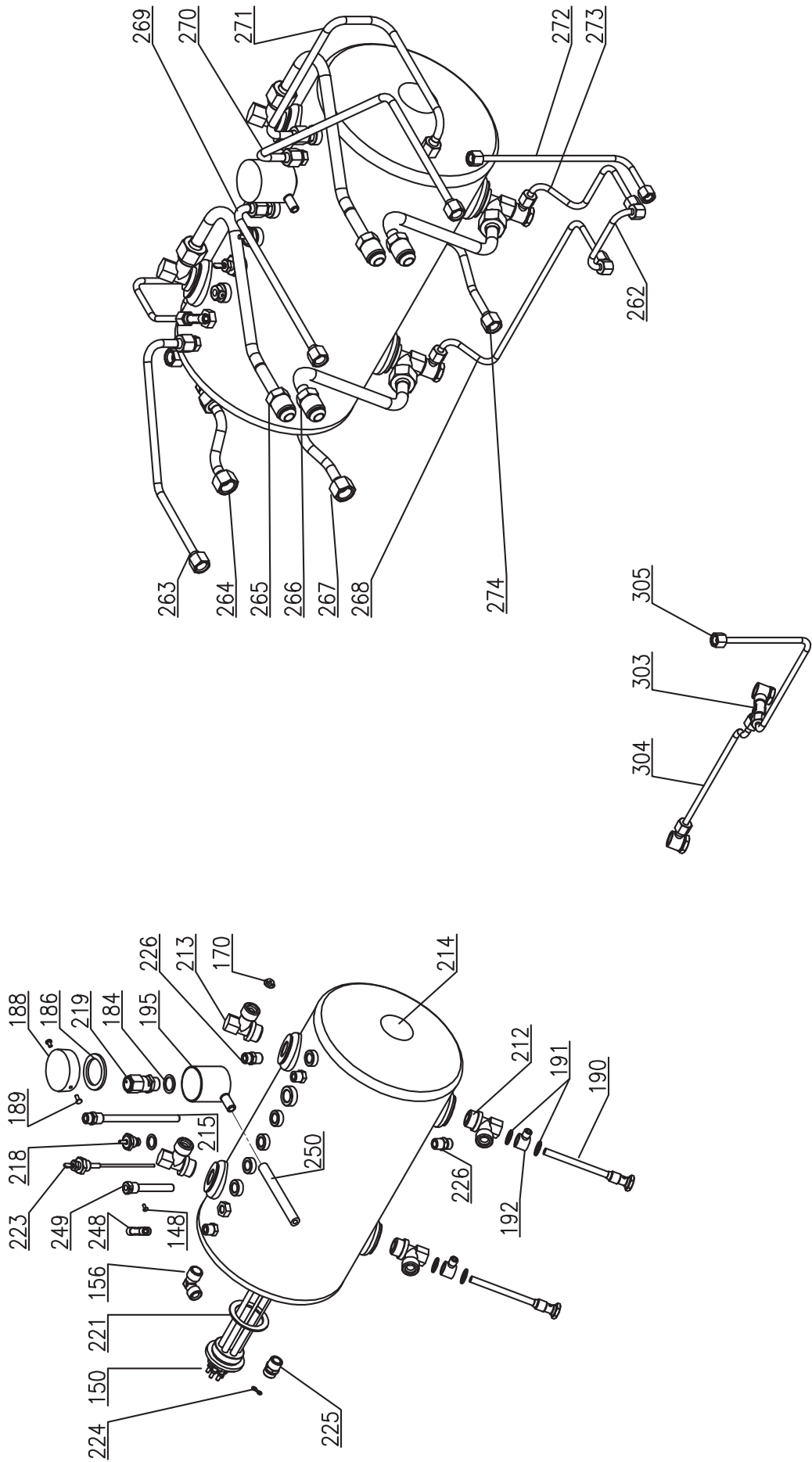


TABLE 4 - Mod. "TORINO" UPDATE 2/12

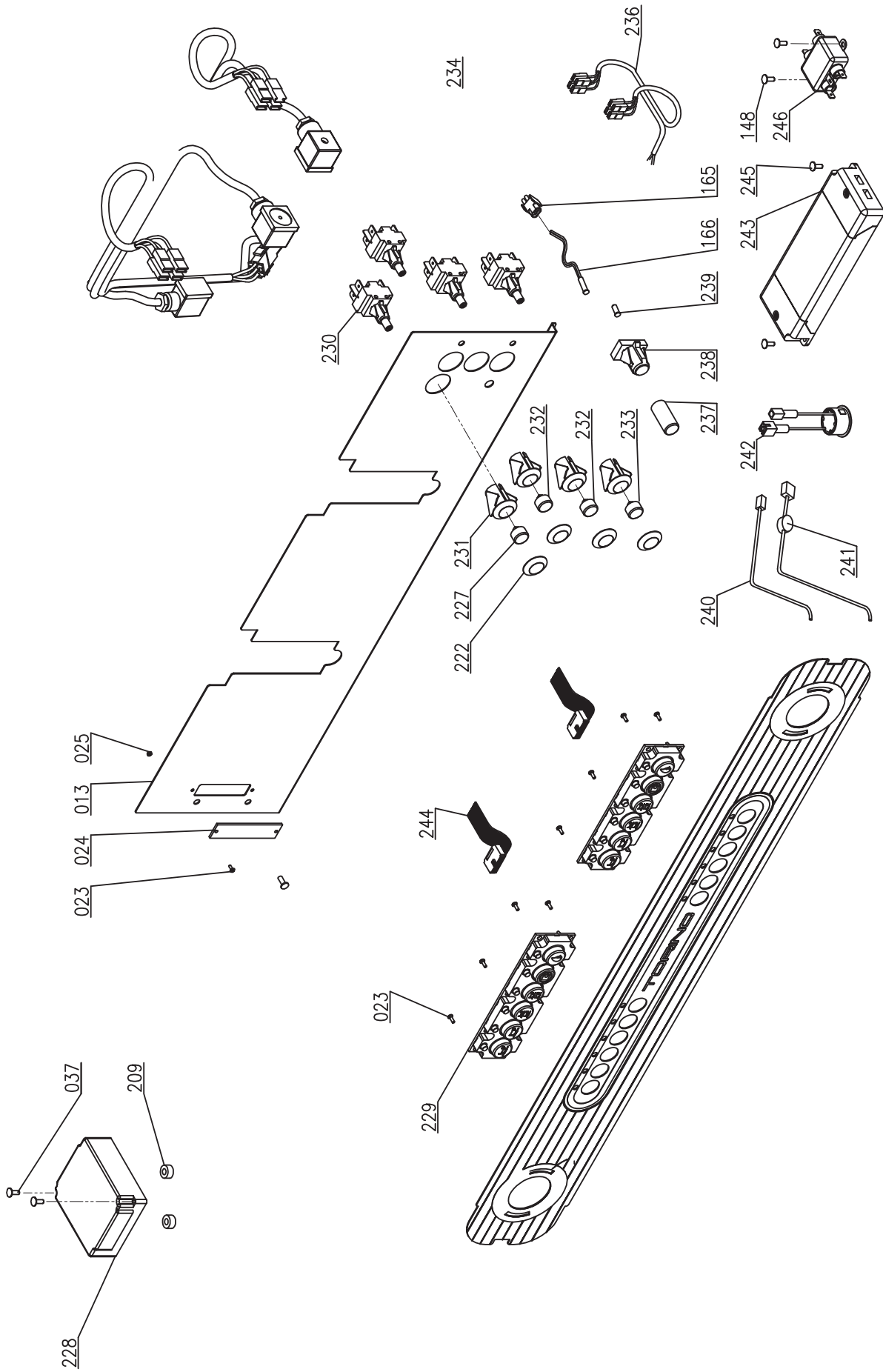


TABLE 5 - Mod. "TORINO" UPDATE 2/12

LEGEND EXPLODED DIAGRAM TORINO SED – SAP 2GR

POS.	COD.	DESCRIPTION
1	10805022	SCREW TBL- M4X20 A2 POLIERS
2	10955013	TRIANGULAR HOT SURFACE LABEL
3	10955025A	TRIANGULAR EARTH LABEL
4	10015910	SIDE PANEL A C TO CHROMED
5	10015930	CHROMED SIDE FASCIA TORINO SIDE PANELS
6	10809012	FLANGED NUT 6MA KNURLED ZN
7	10803536	TOOTHED WASHER D6.2 ZN
8a	10016000	SIDE PANEL RH-TOP/LH-BOTT. TO WHITE
8b	10016020	SIDE PANEL RH-TOP/LH-BOTT. TO BLACK
8c	10016040	SIDE PANEL RH-TOP/LH-BOTT. TO RED
8d	10016200A	SIDE PANEL RH-TOP/LH-BOTT. TO ORANGE
9	10805036	SCREW TBL + M4X35 A2 POLIERS
10	10015828	BRACKET CONTROL UNIT PROTECTION TO2
11a	10015896	TOP FRONT PANEL TO2 SED SCREEN PRINTED
11b	10016804	TOP FRONT PANEL TO2 SAP SCREEN PRINTED
12	10015824A	PROTECTION GROUPS TORINO 2GR
12a	10015825B	PROTECTION GROUPS TORINO 2GR WITH SPOT
13	10015818A	FRONT PROT. TORINO 2GR
14	10805027A	SCREW TBL + M4x10 A2
15	10015826A	DRAIN GRILLE TORINO 2GR FILINOX
16	10015822	DRIP TRAY TORINO 2GR
17	10015862	BOTT. FRONT PANEL TO2 SCREEN PRINTED
18	10015810	BOTT. FRAME TO 2GR
19	10015814	TOP GRILLE TO 2GR
20	10955020	LABEL SANREMO 101x16.5
21	10805950	RIVET D3x6
22a	10952051B	RATING PLATE AL. SAN REMO 230V
22b	10952052B	RATING PLATE AL. SAN REMO 400V
22c	10952053	RATING PLATE AL. SAN REMO 120V
23	10805126	SCREW TC+ M3X6 A2
24	10352072	LEVEL VIEW WINDOW COVER TO
25	10806672	NUT 3MA A2
26	10012144	FLOW REGULATOR FOR DRIP TRAY
27	10022476	COVER FOR DRIP TRAY
28	10015904A	FRAME TO 2GR BLACK
29	10352063	FEET BLACK TELES.
30	10022441	DRIP TRAY HOLE D. 17
31	10852460	DRAIN HOSE
32	10806099	HOSE CLIP
33	10015812	TOP TANK TO 2GR
34a	10016010	SIDE PANEL LH-TOP/RH-BOTT. TO WHITE
34b	10016030	SIDE PANEL LH-TOP/RH-BOTT. TO BLACK
34c	10016050	SIDE PANEL LH-TOP/RH-BOTT. TO RED
34d	10016250A	SIDE PANEL LH-TOP/RH-BOTT. TO ORANGE
35a	10015942	TAP KNOB RING WHITE TO
35b	10015950	TAP KNOB RING CHROMED TO
36	10015842A	SOLENOID VALVE COVER TO
37	10805084	SCREW TC+ M4X10 ZN
38	10852470	DRIVE HOSE 1/4 TD8-TD8 L.450
39	10105030	CABLE GLAND IN RUBBER
40a	10016100	BACK CROSSPIECE TOP/BOTT. TO 2GR WHITE
40b	10016110	BACK CROSSPIECE TOP/BOTT. TO 2GR BLACK
40c	10016120	BACK CROSSPIECE TOP/BOTT. TO 2GR RED
40d	10016330A	BACK CROSSPIECE TOP/BOTT. TO 2GR ORANGE
41	10015852	BACK PANEL TO 2GR VER.WHITE
42	10802500	NUT M8 MEDIUM ZN
43	10803521	TOOTHED WASHER D8.2 INT. ZN
44	10015816	TOP CUP RETAINER TO 2GR BLACK
45	10111015	THERMOSTAT 169° WITH MAN. RESET
46	10602010A	PRESSURE SWITCH
47	10805562	WASHER D4x16x1.5 FLAT ZN
48	10402238	COMPLETE STEAM TAP VERONA

49	10505558	SILICONE TAP GASKET
50	10402061	CENTRAL TAP SHAFT
51	10402014	TAP SHAFT SPRING
52	10402015	TAP SHAFT BUSH
53	10505121	ROD OR 5.7X1.9
54	10505561	BUSH COPPER
55	10402120A	TAP BODY COMPL.
57	10852926A	EXTENSION HEXAG. STEAM NOZZLE
58	10402056A	OR 2062 VITON BLACK
59	10402043	TAP SWIVEL JOINT SPRING
60	10402054	TAP SWIVEL JOINT CAP
61a	10401984	WATER TAP COMPL. TO 230V
61b	10401986	WATER TAP COMPL. TO 120V
62	10092164A	STEAM KNOB ROMA
64	10022140	WATER SPOUT TUBE
65	10502041A	OR 2025 EPDM
66	10402140	BOILER OUTLET
68	10859029	REDUCER UNION 1/8"M 3/8"M CHROMED A/C MI
69	10852210	L-UNION 2020 1/8 F/M
70	10806370B	TAP SPLIT PIN
71	10806312	TOOTHED WASHER D21 INT. ZN
72	10402486	COMPLETE LANCE VR-MLX COLD
73	10402063A	OR 115 EPDM
74	10402022B	TAP SWIVEL JOINT NUT
75	10302505	UNION COPP. SOL.VALVE DRAIN 3V GR E61 VR-RM
76	10402293B	STEAM NOZZLE TUBE VR - MLX
77	10753052	RUBBER BURN PROTECTION
78a	10402276	STEAM LANCE NOZZLE 2 HOLE
78b	10402279	STEAM LANCE NOZZLE 4 HOLE
80	10402028	HALF NUT 1/2" CHROMED RAISED
81	10402040	TAP WASHER BRASS
82	10092162A	STEAM NOZZLE KNOB CAP ROMA +/- BLACK
83	10303086	SOLENOID VALVE 2-WAY 1/8"230V
84	10852050A	UNION 1050 8-1/8"M
85	10105024	SCREW TC+ 3.5X25 ZN CABLE GLAND PA268
86	10105022	CABLE GLAND PA268
87	10852080A	STRAIGHT-UNION 1050 6-1/8"M
88	10402082	LANCE SWIVEL JOINT OR MLX EPDM
89	10402282	STEAM LANCE NUT MLX
90	10402288	STEAM LANCE BALL JOINT MLX INOX
91	10402081	LANCE TUBE OR MLX
92a	10056098	FILLING BLOCK ASSY. 230V TO EV.32X32
92b	10056100	FILLING BLOCK ASSY. 120V TO EV.32X32
93	10852658	UNION CAP 2613 1/8"F
94	10303093A	SOLENOID VALVE 2-WAY BAS 32X32 230V
95	10056072D	FILLING BLOCK BODY VERONA
97	10052130	SPOUT GROUP SAN REMO E61
98	10052137A	CLOSURE CAP GIGLEUR GR. E61
99	10502105A	TOP MUSHROOM GASKET GR.E61
100	10052136	FILTER GROUP E-61/RING
101	10052135	GIGLEUR GROUPS HOLE D.0.8
102	10052133A	TOP MUSHROOM GR. E-61
103	10502090A	SIDE MUSHROOM GASKET GR.E61
104	10502100	MUSHROOM GASKET GROUP IN.E61
105	10853085	HEXAGONAL NUT 1/8" ES.12X3MM
106	10052132A	SIDE MUSHROOM GROUP E61
107	10052134	SCREW STUDS GROUP 61
108	10402310C	FILTER HOLDER ASSY. 1 CUP VR
109a	10302066	SOLENOID VALVE 3-WAY BAS.32X32 230V
109b	10305555	SOLENOID VALVE 3-WAY BAS.32X32 120V
110	10052120	MESH BOILER OUTLET GROUP E61
111	10502110	UNDERCUP GASKET H8.2mm GROUP E61
112	10805071	SCREW TCEI M4X10 A2
113	10402312B	FILTER HOLDER ASSY. 2 CUP VR
115	10052110	FILTER 2 CUP

ENGLISH

116	10091150	FILTER HOLDER HANDLE VR-RM BLACK
117	10052085	2-WAY SPOUT FULLY OPEN
118	10052075	1-WAY SPOUT FULLY OPEN
119	10052034	FILTER HOLDER BODY ANGLED W/RING
120	10052055	FILTER RETAINER SPRING 1.3
121a	10052076	FILTER 1 CUP 7GR
121b	10052101	FILTER 1 CUP 6GR
122a	10052212	GROUP E61 ASSY. 120V W.OUT/UNION
122b	10052214	GROUP E61 ASSY. 230V W.OUT/UNION
123	10052141	DIFFUSER GR. E61
125	10805585	NUT NI HEX.22
126	10405555	HAND WHEEL D.30 MANUAL FILLING
128	10502130	GASKET GR.E61 BLOCK
138	10803520	TOOTHED WASHER D5.3 ZN
139	10091152	FILTER HOLDER HANDLE CAP VERONA
140	10805074	SCREW TE M4X8 8.8 ZN
141	10803519	TOOTHED WASHER D4.2 ZN
142	10112134	VOLUMETRIC METER 1/8" ROHS COMP.
143	10052220	BLIND FILTER
144	10402083	6310 DRAIN TAP 1/8"MF W/LEVER
145	10852028A	T-UNION 1010 6-6-1/8"S.C. MALE
146	10091154	FILTER HOLDER HANDLE RING VERONA
147	10852030A	ELBOW UNION 1020 6-1/8"S.C. MALE
148	10805872	SCREW TC+ M4X6 ZN UNI 7687
150a	10455052	RESISTOR 2700W 230V COPPER
150b	10455053	RESISTOR 2700W 120V COPPER
150c	10455054	RESISTOR 5100W 230V COPPER
150d	10455080	RESISTOR 4500W 230V COPPER
151a	10252079A	ELECTRIC MOTOR 150WATT 120V W/CONNECT. 2GR
151b	10252080A	ELECTRIC MOTOR 150W 230V W/CONNECT. 2GR
151c	10252086	ELECTRIC MOTOR 165W 230V W/CONNECT. 2GR-3GR
151d	10252094	ELECTRIC MOTOR 150W 230V W/CONNECT. 3GR CB
151e	10252098	ELECTRIC MOTOR 130W 230V W/CONNECT. 2GR CB
152a	10252070B	ROTARY PUMP PA1504 150L/H
152b	10252072B	ROTARY PUMP PA204
153	10852470	DRIVE HOSE 1/4 TD8-TD8 L.450
154	10852484	DRIVE HOSE 3/8 FD-FD L=2000
155	10852280A	ELBOW UNION 1020 8-3/8"M
156	10852530A	ELBOW UNION 1020 10-3/8"M
157a	10252038	CONDENSER 6MF 450VL P.MOT. 150W
157b	10252040	CONDENSER 10 MF 450VL MOT.P.165W
158	10002028	BOILER PRESS. SW. CAPILLARY TUBE PI
159	10002021	PUMP PRESS. SW. CAPILLARY TUBE
160	10552046	CIRCULAR THERMOMETER WITH PROBE
161	10552042	PUMP PRESSURE GAUGE 0-16
163	10552040	BOILER PRESSURE GAUGE 0-2.5
164a	10102190	POWER CABLE 3X2.5 MT3 N5 SINGLE PHASE
164b	10102191	POWER CABLE 5X2.5 MT3 N4 THREE PHASE
164c	10102193	POWER CABLE 3X4 MT3 N7
164d	10102196	CABLE 3x12AWG SJOOW 3MT
164e	10102197	CABLE 3x14AWG SJOOW 3MT
165	10105180	2-WAY BLOCK M.
166a	10553021	INDICATOR LIGHT ORANGE D6 230V WIRED
166b	10553024	INDICATOR LIGHT ORANGE D6 120V WIRED
167	10809019	SCREW TBEI M3X8 BRUNITE
168a	10122050	JUMPER SWITCHER SINGLE PHASE
168b	10122060	JUMPER SWITCHER THREE PHASE
170a	10052153	BOILER OUTPUT GIGLEUR HOLE D4 VR
170b	10052154	BOILER OUTPUT GIGLEUR HOLE D 3.5 VR
170c	10052188	BOILER OUTPUT GIGLEUR HOLE D 2.5 VR
171	10091160A	SWITCHER KNOB
172	10805144	SCREW TC+ M3X30 TRUC. ZN BLACK
173	10955015	TRIANGULAR VOLTAGE LABEL
174	10905010	SILICONE HOSE TRANSP. 7X4
175	10853058	STRAIGHT HOSE CONNECTION 1510 6-1/8"M

178	10402059	DRAIN TAP 2839 1/8"F W/KNOB
179	10455122	CUP WARMER RESISTOR 2GR 220V 200W D.6.4
180	10402060	BOILER DRAIN TAP KNOB
181	10111010	THERMOSTAT 90° FOR CUP WARMER RESIST.
182	10015821	FRONT PROTECT. LH CORNER TO
183	10015820	FRONT PROTECT. RH CORNER TO
184	10806324	WASHER D17X23X1.5 3/8" COPPER
185	10805512	NUT 4MA MEDIUM ZN
186	10503018	GASKET PISTON ASSY.
187	10255022	VIBRATION DAMPER 10X10 M4
188	10022554	SAFETY VALVE TANK COVER
189	10022556	SCREW TC+ 2.9x4.5 ZN
190	10042040	UNIVERSAL INJECTOR D.8
191	10852180	WASHER 1/4" COPPER
192	10852240A	UNION 1170 6-1/4"M.
193	10402058	CUP GRILLE WHITE
195	10022552	DRIP TRAY SAFETY VALVE COPPER
196	10402168A	LEVEL VIEW WINDOW ASSY. VR
197	10402163A	CAP 1/4" LEVEL VIEW WINDOW
198	10705015	OR 3043 SEAL LEVEL VIEW WINDOW
200	10805565B	NUT 3/8" D.11.5 LEVEL VIEW WINDOW OR RETAINER
201	10402100	MAX-MIN LEVEL VIEW WINDOW
202	10505550A	GASKET PTFE
205	10105231A	BOTT. BLOCK LEVEL VIEW WINDOW
206	10012044A	LEVEL VIEW WINDOW LH SUPPORT VERONA
208	10805075	SCREW TE M5X8 ZN
209	10355046	SPACER DI6.5xD14xH7
210	10105230A	TOP BLOCK LEVEL VIEW WINDOW
211	10042020A	SPACER LEVEL VIEW WINDOW
212	10853232A	UNION BOTT. BOILER HEAT EXCHANGER VR
213	10853227	UNION TOP BOILER HEAT EXCHANGER TV
214	10002658A	BOILER 2GR D.205
215	10853053A	INTAKE TUBE 1/4"M
218	10652040A	BOILER AIR VENT VALVE
219	10652012	SAFETY VALVE
220	10112064	LEVEL SENSOR 120mm
221	10502020	PTFE WASHER FOR RESISTOR
222	10553074	SILICONE SPLASH GUARD
223	10112042	LEVEL SENSOR 140mm
224	10106060	JUMPER RESISTOR COPPER
225	10852290A	STRAIGHT-UNION 1050 10-3/8"M
226	10855032B	STRAIGHT-UNION 1050 8-1/4"M
227	10553090	ROUNDED BUT. BLACK WHITE SCREEN PRINTED BULB
228	10112072E	CONTROL UNIT XLC 1-2-3GR SED
229a	10112268	KEYPAD TO 6 KEYS SED
229b	10112274	KEYPAD TO 2 KEYS SAP
230	10553080	BIP. SWITCH GOCCIA
231	10553076	SUPPORT D.16 BLACK SPLASH GUARD W/ANTI-ROT. DEVICE
232	10553086	ROUNDED BUT. BLACK WHITE SCREEN PRINTED CUP
233	10553088	ROUNDED BUT. BLACK WHITE SCREEN PRINTED RESIST.
234a	10102536	WIRING TO 2GR SAP W/GR E61
234b	10102542	WIRING TO 2GR SED W/GR E61
235	10102544	WIRING CUP WARMER TO 2GR W/GR E61
236	10102534	WIRING LIGHTS TO 2GR W/GR E61
237	10553092	BUTTON ROUNDED BLACK BLIND
238	10553094	GUIDE STRUCTURE BLIND BUTTON
239	10553008	BLIND BUTTON NEON LIGHT D.6
240	10554040	WIRE SPOTLIGHT L790 BLACK
241	10554042	WIRE SPOTLIGHT L1150 RED W/RES.
242	10554012A	LED SPOTLIGHT
243	10554100	LED POWER SUPPLY
244a	10112067	CABLE, PIN TO PIN, 1100mm
244b	10112079	CABLE, PIN TO PIN, 800mm
245	10805054	SCREW TC+ M3X10 A2
246	10509016	FILTER LIGHTS

ENGLISH

248	10852630A	1000 T-UNION T 6-1/8"-6 M-M-M
249	10853090A	BULB HOLDER
250	10905024	SILICONE HOSE TRANSP. 12X18
262	10002498	JUMPER TUBE VOL. 1-2 PI 2-3GR SED
263	10009028	STEAM HOSE LH TO 2GR
264	10009044	LEVEL VIEW WINDOW TUBE SUPP. TO 2GR
265	10002336A	TUBE TOP HEAT EXCHANGER MLX 2GR UNION VR
266	10002334	TUBE BOTT. HEAT EXCHANGER MLX 2GR UNION VR
267	10009047	LEVEL VIEW WINDOW TUBE BOTT. TO 2GR
268	10009042A	FILL HOSE 1GR TO 2GR SED
269	10009032	WATER OUTPUT HOSE TO 2GR
270	10009030	STEAM HOSE RH TO 2GR
271	10009036	BOILER FILL HOSE TO 2GR
272	10009038	VOLUM. FILL HOSE TO 2GR
273	10009040A	FILL HOSE 2GR TO 2GR
274	10009048	BOILER DRAIN HOSE TO 2GR
295	10052064	DRIP TRAY CAP
298	10352058	FOOT FOR EXTERNAL PUMP
299a	10252087	ELECTRIC MOTOR 300W 230V PE 1-2GR
299b	10252089	ELECTRIC MOTOR 187W 230V PE 2-3GR
299c	10252096	ELECTRIC MOTOR 187W 230V PE 1-2-3GR CB
300	10102595A	CONNECT. WIRING MACHINE/EXT. PUMP
301a	10102620A	CONNECT. WIRING MOTOR E.P. 2GR
301b	10102630A	CONNECT. WIRING MOTOR E.P. 3GR
302	10852464	DRIVE HOSE 1/4F90°-3/8"F L.2000
303	10853223	T-UNION M/M/F 1/8"
304	10003172	JUMPER TUBE 1-2°GR CA DLX SAP
305	10009050	FILL HOSE GR TO 2 SAP